

VERDERFLEX

Ds500



Description

The Verderflex Ds500 is an industrial peristaltic pump designed for metering, dosing and transfer (fluid/chemical) with a focus on accuracy and minimum downtime, at pressures of up to 102 PSI.

Your benefits

- Accurate flow performance from 0.001 to 8 GPH(US). and pressures of up to 102 PSI.
- Space saving footprint with secure mounting for easy integration into pump systems.
- Maximum working time/minimum downtime with tool free cartridge changes in situ.
- Minimal fluid 'live' containment ensures user safety and reduced clean up requirement.
- Repeatability of up to ±1% accuracy with reduced pulsation flow.
- No valves - non clogging, no degassing required, abrasion resistant.
- Full colour 4.3" TFT touchscreen.

Technical data

Supply voltage	100-240V 50/60Hz AC	Ambient operating temperature	39 - 113°F
Flow range	0.001 - 8 GPH(US)	Max. temperature of pumped medium	158°F
Speed range	0.01 - 65 RPM	Noise level	< 70dB(A) @1m
Max. discharge pressure	102 PSI	IP rating	IP66, NEMA Type 4X
Max. discharge speed adjustment range	5000:1	Humidity	5-95% RH (non-condensing)
Weight (inc. pump head)	18.2 lb	4-20mA resolution	1600:1

Materials

Description	Materials
Pump housing	20% GF PPE/PS (Polyphenyl Ether + Polystyrene), Stanyl®
Drive shaft	PA6 (nylon)
Pump head	20% GF PPE/PS + PA6 + Polypropylene
Screen guard	Polycarbonate
Screen enclosure	20% GF PPE/PS

VERDERFLEX

Ds500

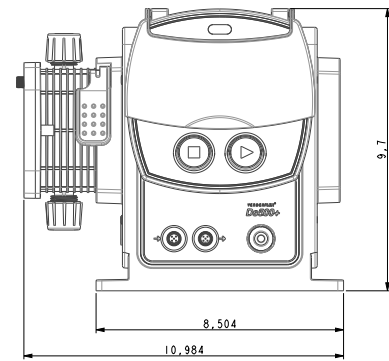
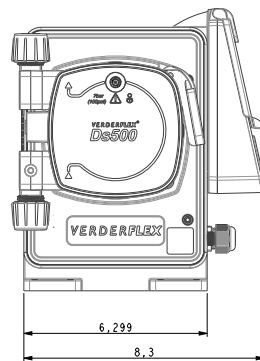
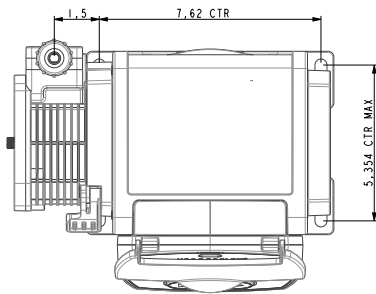
Features

	Ds500	Ds500+
Numerical flow display	✓	✓
Numerical speed display	✓	✓
Fluid level monitor	✓	✓
Max (prime)	✓	✓
Auto restart (after power restored)	✓	✓
Fluid recovery	✓	✓
Leak detection	✓	✓
4.3" colour touchscreen	✓	✓
Fault reporting	✓	✓

Control Methods

	Ds500	Ds500+
Manual control capability	✓	✓
Input/ Output options		✓
4-20mA input		✓
4-20mA input two point calibration		✓
4-20mA output		✓
Contact input (pulse/batch)		✓
Run stop input		✓
Alarm output		✓
Keypad lock	✓	✓
PIN lock to protect set up	✓	✓

Dimensions

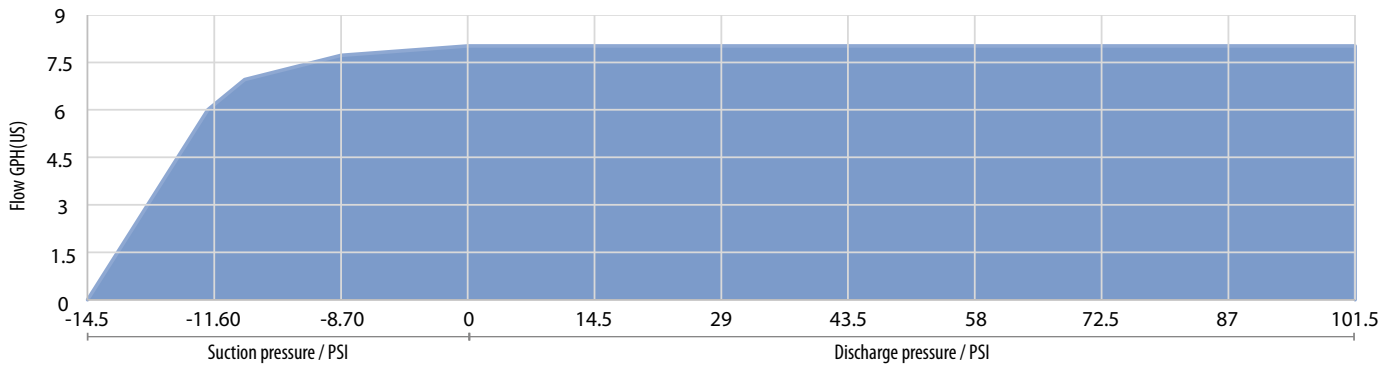


All dimensions are in inches.
All dimensions and weights are for guidance only.

VERDERFLEX

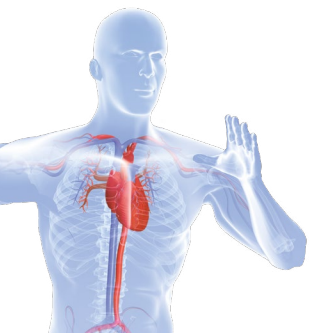
Ds500

Performance curve



Flows are typical and were measured with water at 68°F. Actual flows will vary according to suction conditions, discharge pressure and normal component production tolerances.

Ds500_datasheet_US (v02)



Find your local supplier at www.verderliquids.com

For construction, installation and floor mounting drawings please contact your local authorised Verderflex® distributor.

VERDER
passion for pumps