

Verderdos

VE3 PH/RX dosing pump



VERDERDOS

Description

Electromagnetic, digital proportional dosing pump for the control of pH or Redox (pH or Redox needs to be defined). Available as wall mounted pump.

Features

- ↳ built in pH/Orp control
- ↳ Control range: pH or mV (Orp) directly from the pump's program
- ↳ Function mode: Constant, ON/OFF, Proportional
- ↳ TAL protection system from overdosing
- ↳ Programmable start delay
- ↳ LED programming and display
- ↳ IP 65 protection
- ↳ Over range and under range signal
- ↳ Flow indication in % instant by instant
- ↳ On/off switch
- ↳ Supplied with SCHUKO plug

Materials

Material selection Pump head	Standard	Optional
Standard flow model	PVDF	PP
High flow model	PVDF	-
High pressure model	PVDF	-
Material		
Balls	Pyrex	Ceramic, PTFE, SS 316
Diaphragm	PTFE	-
Fittings	PVDF 1/2"	PP 1/2"
Seals	FPM	EPDM
Valve cartridges	PVDF 4 x 6	PP 4 x 6
Foot filter	PVDF 4 x 6 ball valve	PP 4 x 6 lip valve
Injection valve	PVDF 4 x 6 ball valve	PP 4 x 6 ball valve
Suction tube	PVC 4 x 6	PVDF
Delivery tube	PE 4 x 6	PVDF

Optional

- ↳ Level probe predisposition
- ↳ Flow switch

	PTFE BALLS	SS 316 BALLS	PYREX BALLS	CERAMIC BALLS
Material	PTFE	SS 316	DURAN – PYREX	AL ² O ³
Hardness	60 (D)	1407160 HB	± 45 HRC	± 45 HRC
Specific weight	2.10 g/cm ³	8.02 g/cm ³	2.23 g/cm ³	3.90 g/cm ³
Description	Resistant to most of oxidizing chemicals, inorganic salt solutions, hydrocarbons. Non-conductive.	Spheres with resistance to corrosion caused by chemical solutions oxidants, organic chemicals, sterile solutions, mineral water and sea water, ammonia, salt air, etc.	Spheres with excellent chemical inertness to most acids. Excellent for use in metering pumps and valves in contact with strong oxidizing concentrations.	Resistant to most corrosive agents. Not recommended for use with hydrochloric acid and hydrofluoric acid solutions. Maximum abrasion resistance.

Verderdos

VE3 PH/RX dosing pump

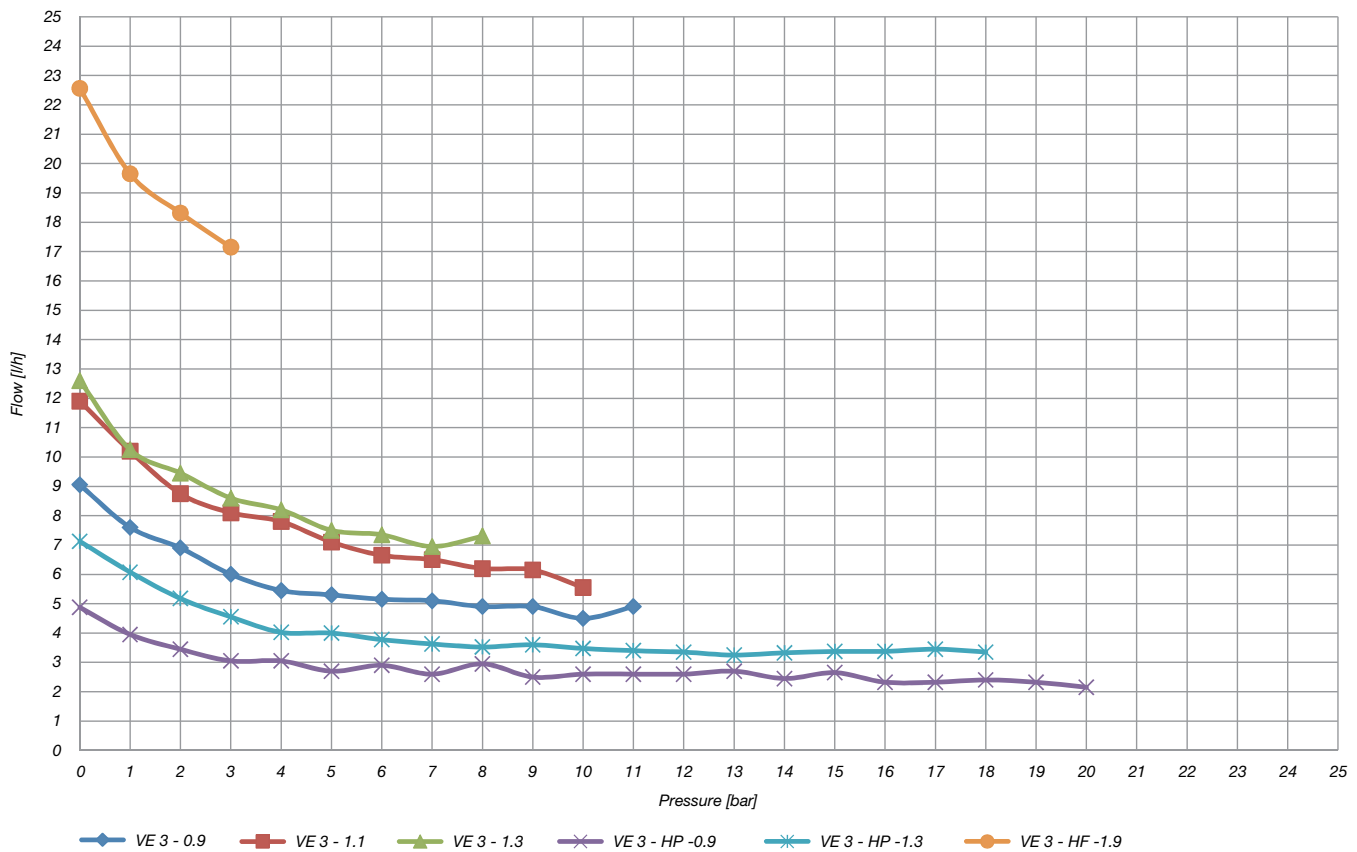


VERDERDOS

Technical data

	Flow max l/h	Pressure bar	Max cc	Max operating temp °C	Stroke mm	Solenoid ø mm	Pump head material	Power c Watt	Pulses ppm	Weight kg
Standard flow model										
10-02	10	2	1.11	65	1.3	80	PVDF	60	150	3.5
05-10	5	10	0.55	65	1.1	80	PVDF	60	150	3.5
04-12	4	12	0.44	65	0.9	80	PVDF	60	150	3.5
High flow model										
24-01	24	1	3.34	65	1.9	90	PVDF	60	150	4
22-02	22	2	2.89	65	1.9	90	PVDF	60	150	4
High pressure model										
03-15	3	15	0.33	65	1.3	80	PVDF	60	150	3.5
02-18	2	18	0.22	65	0.9	80	PVDF	60	150	3.5

Performance curve



Verderdos

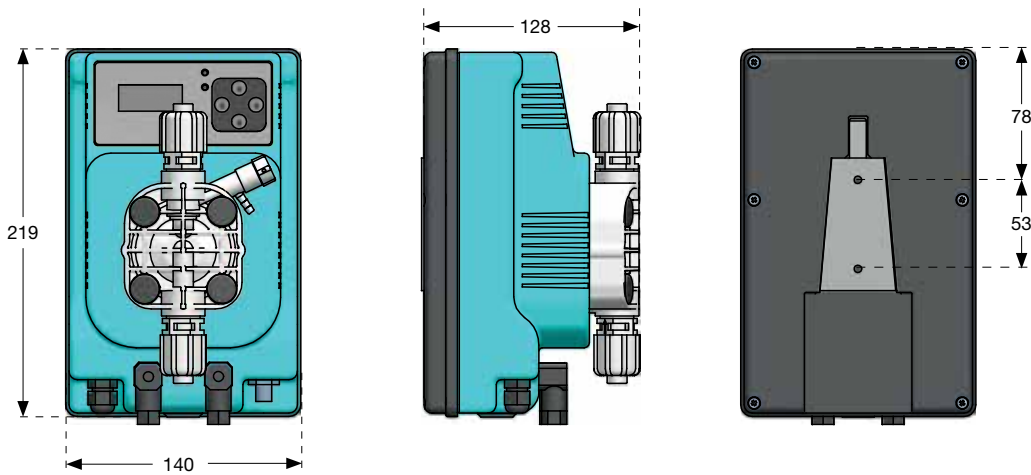
VE3 PH/RX dosing pump



VERDERDOS

Dimensions

(in mm)



Standard installation kit

Injection valve	PVDF foot filter with ball valve	Delivery tube 2 m PE 4x6	Suction tube 2 m PVC 4x6	Bleed tube 1.5 m PVC 4x6
				

Accessories

- Probes (ph/Redox/Chlorine Cells)
- Probe holders
- Suction lances
- Mixers
- Tanks & bunds
- Water Meters

Find your local supplier at www.verderdos.com

For construction, installation and floor mounting drawings please contact your local authorised Verderdos distributor.

VERDER
passion for pumps

