

# Verderdos

## VE3-CL Chlorine solenoid dosing pump



VERDERDOS

### Description

Electromagnetic, digital proportional dosing pump for chlorine dosing. Wall and foot mounted pumps available. Protection glass IP 65. Available as wall mounted pump.

### Features

- ↳ Built in controller for chlorine
- ↳ Function mode: Constant, ON/OFF, proportional
- ↳ Overdose alarm, set by software
- ↳ Start time delay setting
- ↳ PPM reading
- ↳ Status and programming led
- ↳ Over and under measure signal
- ↳ Instant flow rate % visualization
- ↳ On/off switch
- ↳ Supplied with SCHUKO plug

### Materials

Material selection Pump head	Standard	Optional
Standard flow model	PVDF	PP
High flow model	PVDF	-
High pressure model	PVDF	-
Material		
Balls	Pyrex	Ceramic, PTFE, SS 316
Diaphragm	PTFE	-
Fittings	PVDF 1/2"	PP 1/2"
Seals	FPM	EPDM
Valve cartridges	PVDF 4 x 6	PP 4 x 6
Foot filter	PVDF 4 x 6 ball valve	PP 4 x 6 lip valve
Injection valve	PVDF 4 x 6 ball valve	PP 4 x 6 ball valve
Suction tube	PVC 4 x 6	PVDF
Delivery tube	PE 4 x 6	PVDF

### Optional

- ↳ Level probe on input
- ↳ Flow switch

	PTFE BALLS	SS 316 BALLS	PYREX BALLS	CERAMIC BALLS
<b>Material</b>	PTFE	SS 316	DURAN – PYREX	AL <sup>2</sup> O <sup>3</sup>
<b>Hardness</b>	60 ( D )	1407160 HB	± 45 HRC	± 45 HRC
<b>Specific weight</b>	2.10 g/cm <sup>3</sup>	8.02 g/cm <sup>3</sup>	2.23 g/cm <sup>3</sup>	3.90 g/cm <sup>3</sup>
<b>Description</b>	Resistant to most of oxidizing chemicals, inorganic salt solutions, hydrocarbons. Non-conductive.	Spheres with resistance to corrosion caused by chemical solutions oxidants, organic chemicals, sterile solutions, mineral water and sea water, ammonia, salt air, etc.	Spheres with excellent chemical inertness to most acids. Excellent for use in metering pumps and valves in contact with strong oxidizing concentrations.	Resistant to most corrosive agents. Not recommended for use with hydrochloric acid and hydrofluoric acid solutions. Maximum abrasion resistance.

# Verderdos

## VE3-CL Chlorine solenoid dosing pump

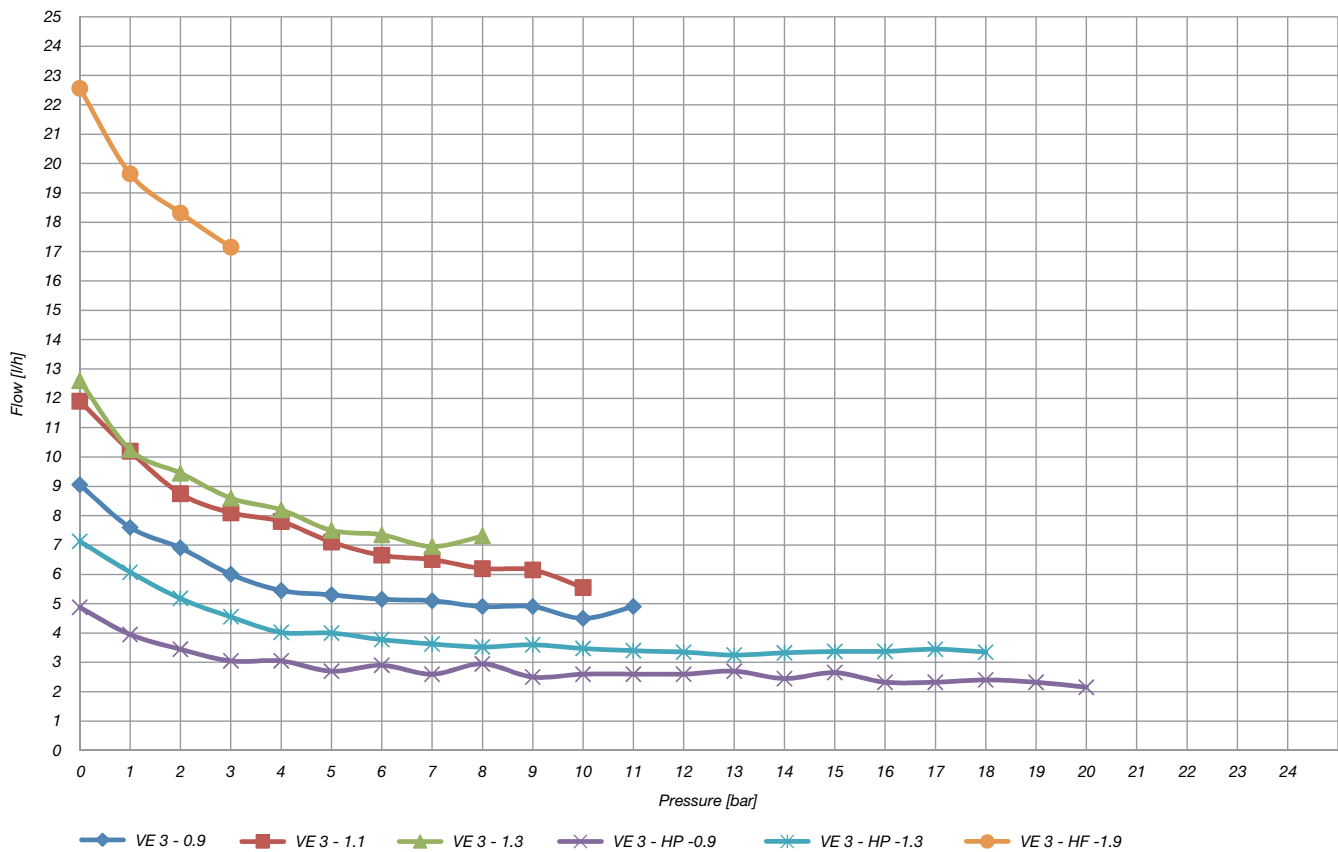


VERDERDOS

### Technical data

	Flow max l/h	Pressure bar	Max cc	Max operating temp °C	Stroke mm	Solenoid ø mm	Pump head material	Power c Watt	Pulses ppm	Weight kg
<b>Standard flow model</b>										
10-02	10	2	1.11	65	1.3	80	PVDF	60	150	3.5
05-10	5	10	0.55	65	1.1	80	PVDF	60	150	3.5
04-12	4	12	0.44	65	0.9	80	PVDF	60	150	3.5
<b>High flow model</b>										
24-01	24	1	3.34	65	1.9	90	PVDF	60	150	4
22-02	22	2	2.89	65	1.9	90	PVDF	60	150	4
<b>High pressure model</b>										
03-15	3	15	0.33	65	1.3	80	PVDF	60	150	3.5
02-18	2	18	0.22	65	0.9	80	PVDF	60	150	3.5

### Performance curve



# Verderdos

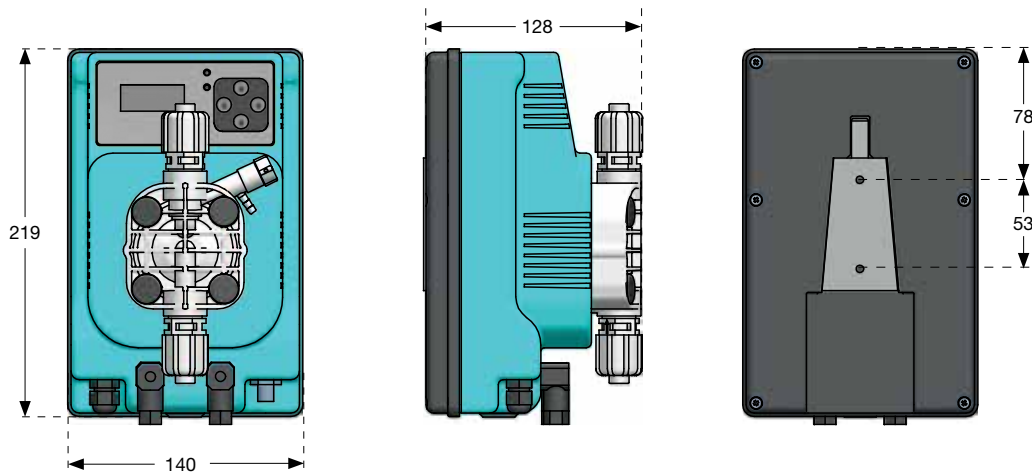
## VE3-CL Chlorine solenoid dosing pump



VERDERDOS

### Dimensions

(in mm)



### Standard installation kit

Injection valve	PVDF foot filter with ball valve	Delivery tube 2 m PE 4x6	Suction tube 2 m PVC 4x6	Bleed tube 1.5 m PVC 4x6
				

### Accessories

- Probes (ph/Redox/Chlorine Cells)
- Probe holders
- Suction lances
- Mixers
- Tanks & bunds
- Water Meters



### Verderdos Amperometric chlorine cell PRO-CG-CL3

0-5 mg/l measurement range; plexiglass body, flow switch sensor, copper/platinum electrode. Only working correctly with water flow between 30 – 50 l/h. Always in combination with PRO-HCG-CL3 flow trough probe holder

Find your local supplier at [www.verderdos.com](http://www.verderdos.com)

For construction, installation and floor mounting drawings please contact your local authorised Verderdos distributor.

**VERDER**  
passion for pumps

