

Verderair VA-H40 SB



VA-H40 SB

VERDERAIR

Technical data			
Weight [kg]	All models		44
Suction lift [mwc]	Dry		4,6
	Wet		8,5
Temperature [°C]	Internals	EO	135
		TF	104
		TO	82
		SP	82
Max. Particle size [mm]			15,9
Max. Viscosity (mPas)			15000
Certifications	Internals TF/EO		EN1935/2004
	All models		FDA

Code VA-H40 No.1 No.2 No.3 No.4 No.5 No.6 No.7

no.1 Fluid section material

⚠ S = 316 Stainless Steel, Ra: 0,8µm

No. 2 Air Section material

⚠ S = 316 Stainless Steel, Ra: 0,8µm

No. 3 Check Valve seat material

SE = SS seat with EPDM o-rings

No. 4 Check valve ball material

SP = Santoprene

☒ TF = PTFE

No. 5 Diaphragm material

SP = Santoprene

☒ EO = EPDM overmolded

TO = PTFE/EPDM overmolded

☒ TF = PTFE/EPDM 2 piece

No. 6 Connections

D5 = DIN 11851, DN50, male

T5 = Tri-Clamp (ASME BPE), 2"

No. 7 Pump Style

SB = Ball valve execution

EXAMPLE PUMP TYPE

VA-H40SS SE TF TO D5 SB

NOTE not all combinations are available



Ex II 2 G c IIB T6

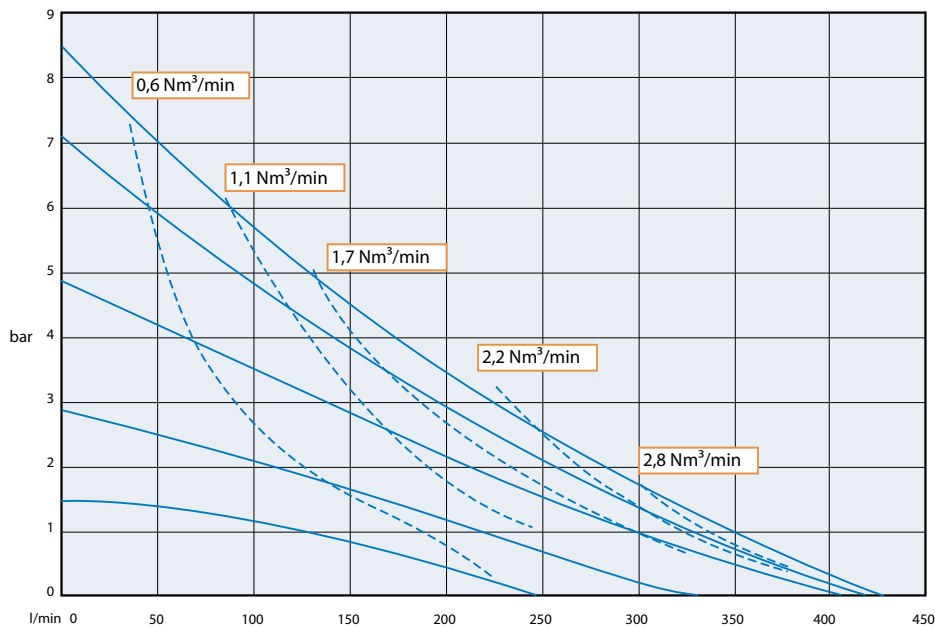
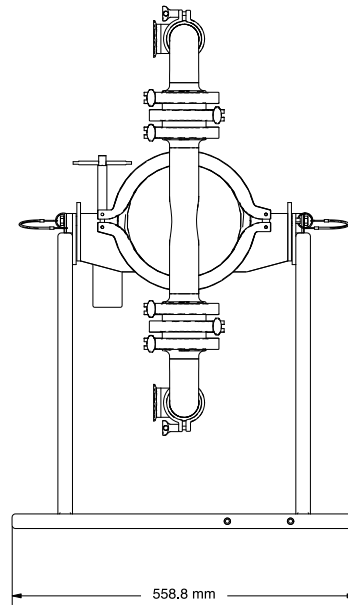
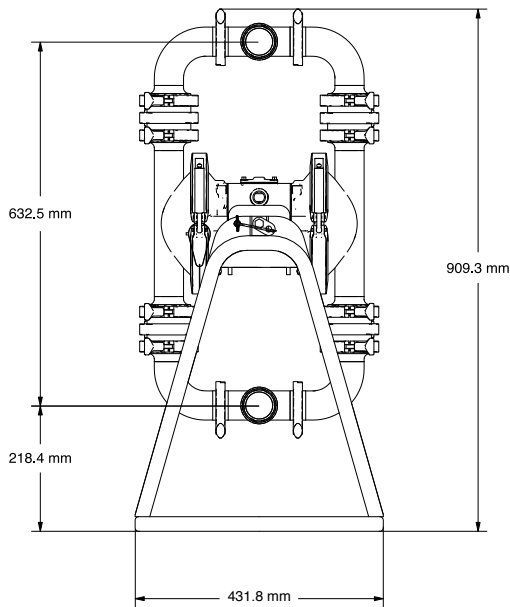


EN 1935/2004



Verderair VA-H40 SB

VA-H40 SB



Air consumption

VA-H40 SB_Techno_Rev01-2014_EU_(eu)

Find your local supplier at www.verderair.com

VERDER
passion for pumps