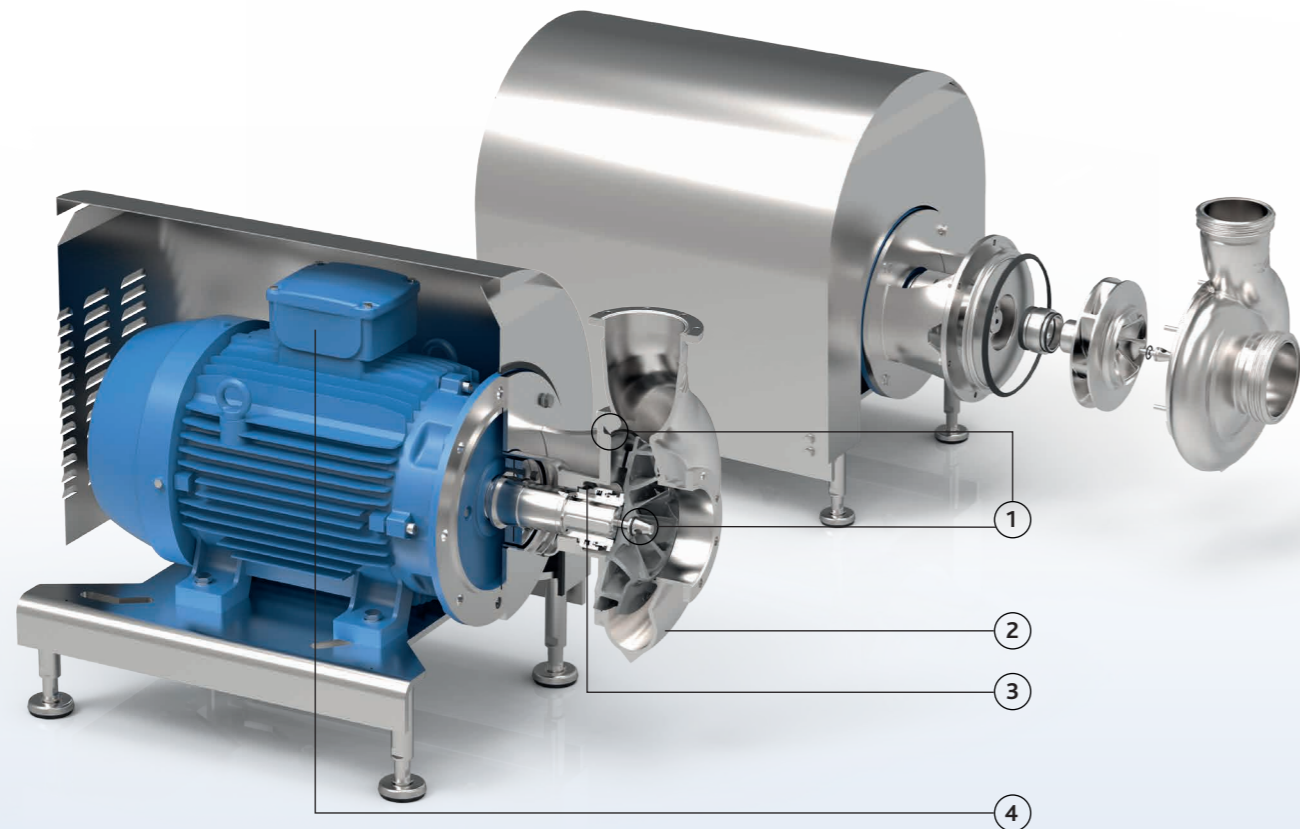


# Pump series MFP3



## Characteristics

The Packo pumps of the MFP3 series are used on the most demanding hygienic applications in almost all industries such as dairies, breweries, beverage industry, distilleries, etc. These robust pumps have stainless steel 316L cast pump casings and closed investment cast impellers, constructed in 316L or duplex materials. Thanks to its crevice-free design and electropolishing as a final surface treatment, the MFP3 pump series are the ideal reliable component for your production process.



### MFP3

- 1 Electropolished, easy to clean construction, no bacteria traps and no small clearances in order to clean the area around the O-ring
- 2 Solid design thanks to investment cast casings and impellers
- 3 Large seal cavity to clean mechanical seal properly
- 4 Monobloc execution with std. IEC motors
- 5 Standardized mechanical seals to EN 12756 FDA approved bellow mechanical seals or sterile O-ring seals (spring not in contact with the liquid)
- 6 Mechanical seal diameters depending on motor power: 43 - 70 - 100 mm



## Your benefits

- High pump efficiency resulting in lower energy consumption
- Low NPSH values: less risk on cavitation
- Electropolished: easy to clean
- Easy construction and easy maintenance: less downtime
- Standard components
- Easy to install
- Robust construction

## Application areas

These robust process pumps are the ideal reliable component for filtration applications, pasteurization, yeast propagation as well as for CIP cleaning systems. Typical applications include filtration of beer, wine and fruit juices as well as pumping yeast, whey, curd, CIP, etc.

Pump series	MFP3
<b>Performance</b>	
max. flow rate	1800 m <sup>3</sup> /h
max. differential head	75 m
max. discharge pressure	12 bar
max. liquid viscosity	500 cP
max. temperature	140°C
impeller type	closed with back vanes and balancing holes
max. free passage	27 mm
max. motor power	250 kW
max. speed	3000/3600
available frequency	50/60 Hz
<b>Technical specifications</b>	
materials wetted parts	stainless steel 316L or similar
mechanical seal configuration	single, quench, double
available material O-ring	EPDM, FKM, FEP-FKM, FFKM, Silicone
connections	hygienic fittings
surface finish	hygienic quality, internal welds hand polished + electropolished
certificates & legislation	

## Performance curves

### MFP3

